

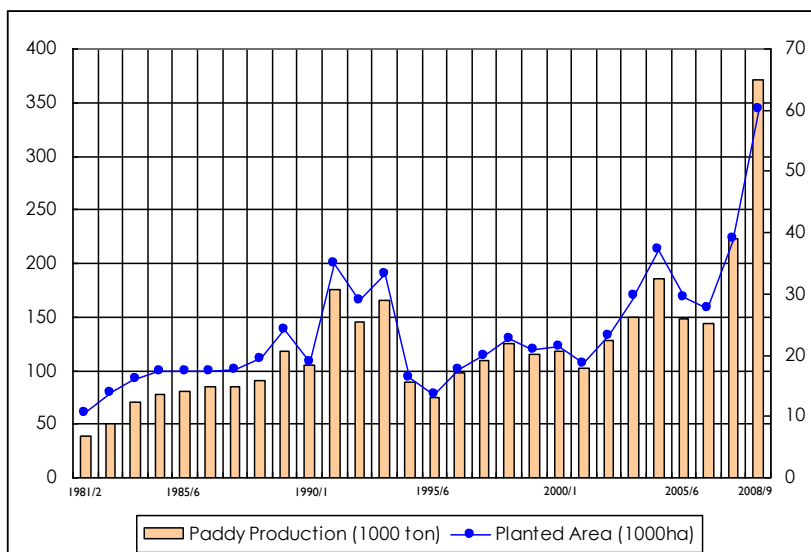


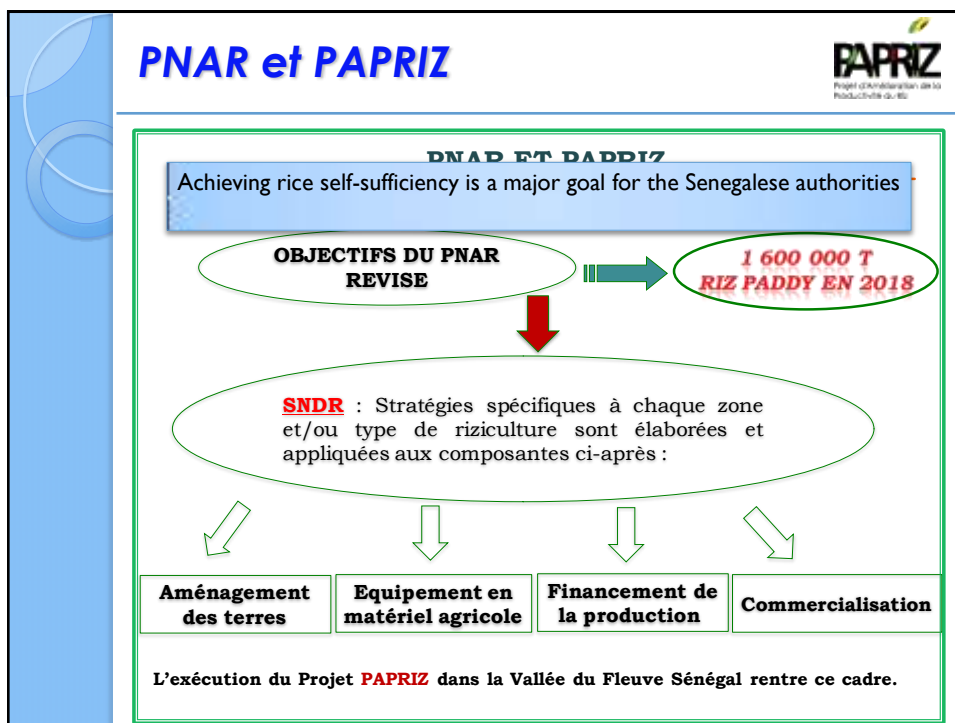
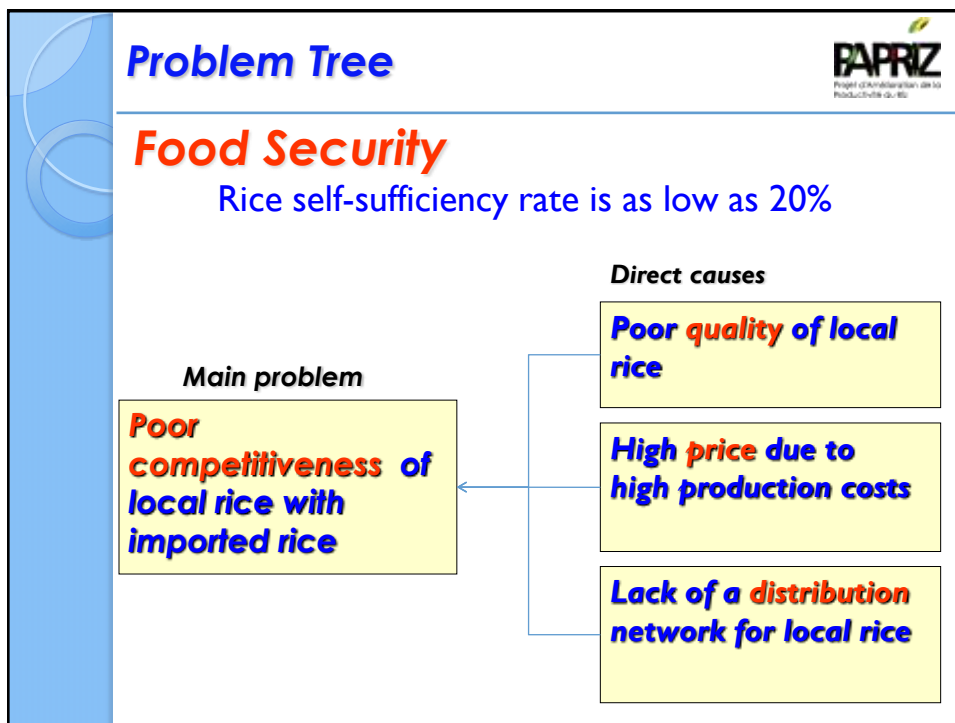
## Project for the Improvement of Rice Productivity in the Senegal River Irrigation Scheme (PAPRIZ)

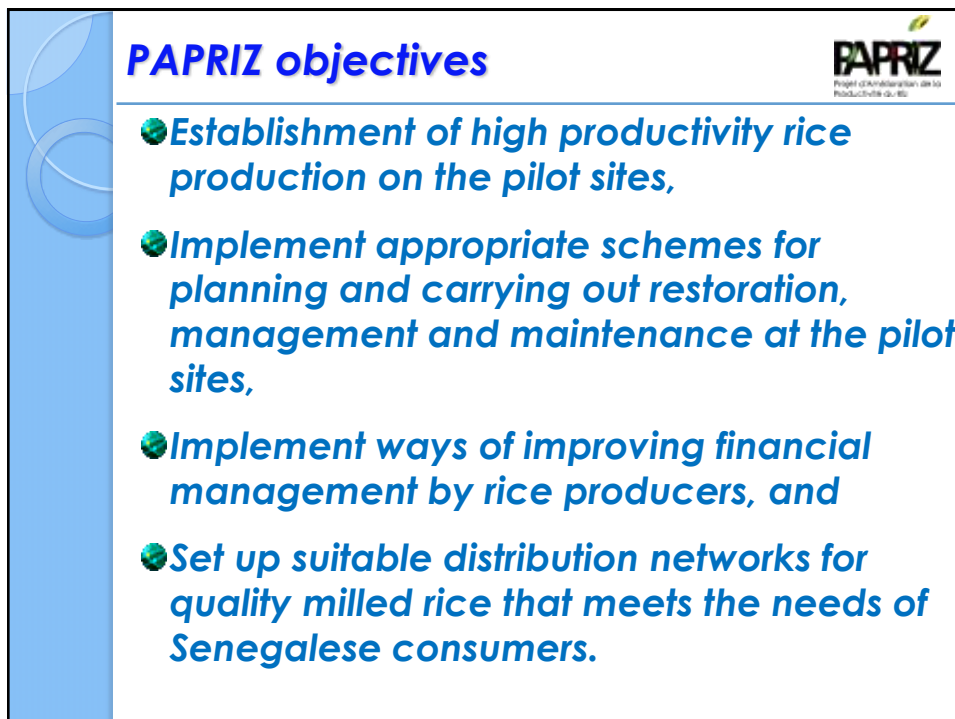
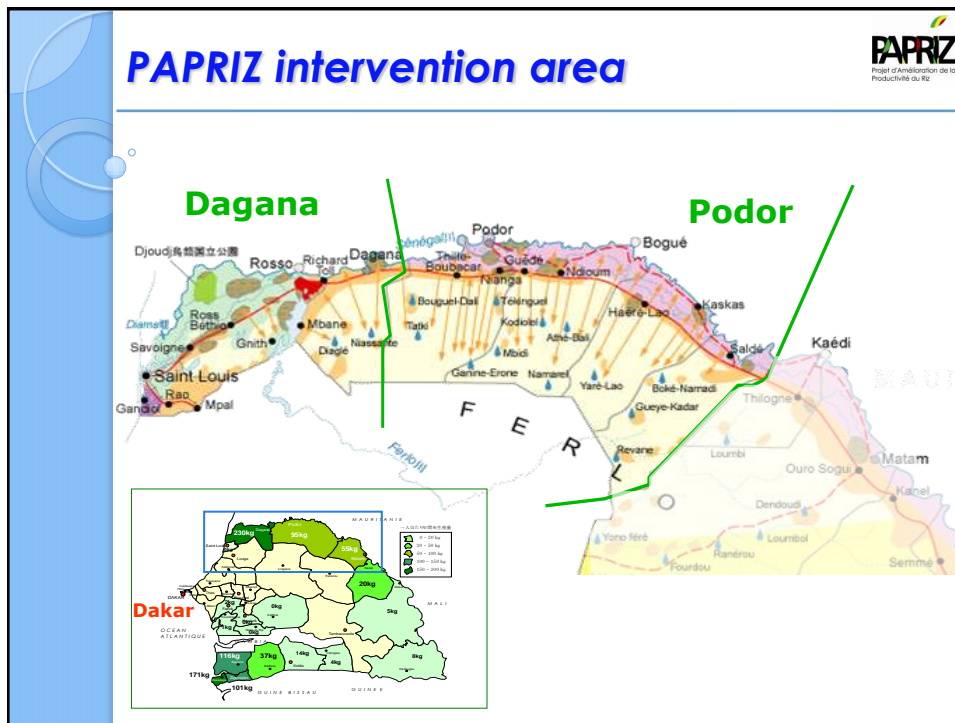
Dakar, 4 February 2013

SAED and JICA

### Rice production in Senegal







## Key objectives



### Indicators

1. A 15% increase in paddy yield (tonnes/ha)
2. A 20% increase in farmers' incomes
3. Paddy production increased by 15%

7

## Project approach



1. Involvement of all rice sector stakeholders
2. Undertake market-oriented rice sector development
3. Project sustainability



## Expected results 1



*Establishment of high productivity rice growing on the pilot sites*



## Technical workshop and study tour for agricultural advisers and farmers



## Paddy yield improvement (2012 off-season)



Description	Farmer 1	Farmer 2
Cropping area	0.8 ha	0.4 ha
Variety used	Sahel 159	Sahel 159
Main field harrowing date	March 25	March 25
Sowing density	100 kg	50 kg
Input rates and application dates		
- diammonium phosphate (DAP)	100 kg, April 2	40 kg, April 3
- natural Matam phosphate (PNM)	100 kg, April 28	None
- urea (1 <sup>st</sup> application)	150 kg, April 28	75 kg, April 30
- urea (second application)	100 kg, May 30	50 kg, May 30
Harvest start date	July 19	July 15
Growth period*	108 days	104 days
Production (bags)	148	52

## Potash application at the experimental farm (2012 winter season)



## Improved sowing preparation (2012 winter season)



## Expected results 2



*Implement appropriate schemes for planning and carrying out restoration, management and maintenance at the pilot sites*



14

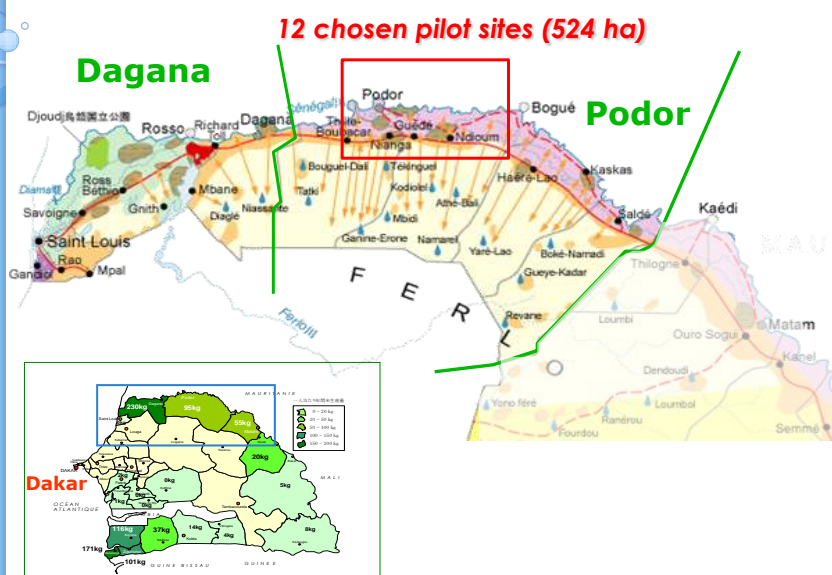


## Prerequisites



1. Essential new works and repairs for better water management and water use-efficiency
2. Investment worth 600,000 FCFA/ha to be carried out,
3. A participative approach that allows better use of infrastructure and capacity building of infrastructure maintenance.


## PAPRIZ intervention area





**Participatory rural appraisal (EPMR)**

**PAPRIZ**  
Projet d'Amélioration de la Productivité au Riz



*Diatar 2 VIS*

*Diama Alwaly & Korkadie 2 VIS*

*Diatar IT2 VIS*

*Donaye IT4 VIS*

**Donaye IT4 VIS (50ha)**

**22 March 2011**

**PAPRIZ**  
Projet d'Amélioration de la Productivité au Riz



*2011 3 22*

*Repairing the main canal*

## Donaye IT4 VIS (50 ha)

4 July 2011



*Repairing the main canal*

## Réfugiés de Moundouwaye VIS (25 ha)

24 May 2011



*Repairing the distributor*

Réfugiés de Moundouwaye VIS (25 ha)



26 August 2011



Repairing the distributor

Diatar 2 VIS (38 ha)



24 May 2011



Intake channel for the pump and sump

**Diatar 2 VIS (38 ha)****2 December 2011***Intake channel for the pump and sump***Farmer participation**

N°	Scheme	Households (no.)	Participation >30 days (no.)	Total number of man-days (MD)
1.	Diatar IT2	50	18	101
2.	Diatar 2	78	41	546
3.	Donaye IT 4	50	97	508
4.	Diam Alwaly & Korkadie 2	150	31	217
5.	Réfugiés de Moundouwaye	112	67	555
6.	Village de Ngane	160	56	640
	<b>Total</b>	<b>600</b>	<b>310</b>	<b>2,567</b>

23 March 2011 - 18 June 2011



## Increased paddy production



Description	Unit	Winter season paddy 2010	Winter season paddy 2011	Difference
Area harvested	ha	60 (100)	111 (185)	51
Paddy unit yield	tonne/ha	4.2 (100)	4.1 (98)	-0.1
Paddy production	tonne	252 (100)	455 (180)	203
Paddy production per EIG member	kg/member	420 (100)	758 (180)	338

## Reduced fuel costs



Description	Unit	Winter season paddy 2010	Winter season paddy 2011	Difference
Cropping area	ha	60	111	51
Total fuel consumption	litre	8.395 (100)	11.541 (137)	3.146
Fuel consumption per ha	Litre/ha	140 (100)	104 (74)	-36
Fuel cost per ha	FCFA/ha	84.000 (100)	62.400 (74)	- 21.600

**PAPRIZ**  
Projet d'Amélioration de la Productivité du Riz

### Podor irrigated schemes

Category	Developments (No.)	Total usable area (ha)	Total developed area (ha)
Major schemes (MS)	46	1,927	1,927
Intermediate Schemes (IS)	117	4,197	3,977
Village Irrigation Schemes (VIS)	389	9,507	8,764
Private Irrigation Schemes (PIS)	780	7,925	7,268
<b>Total</b>	<b>1.362</b>	<b>23,556</b>	<b>21,936</b>

**PAPRIZ**  
Projet d'Amélioration de la Productivité du Riz

### The way forward

1. *Undertake significant rehabilitation of VIS thanks to optimal investment,*
2. *Use participative approaches in rehabilitating the VIS,*
3. *Capacity build extension advisers' and farmers' knowledge of rice growing, and*
4. *Strengthen institutional supports to underpin more efficient establishment of irrigation works.*

### Expected results 3



Set up suitable distribution networks for quality milled rice that meets the needs of Senegalese consumers.



29

### Improvement of rice quality

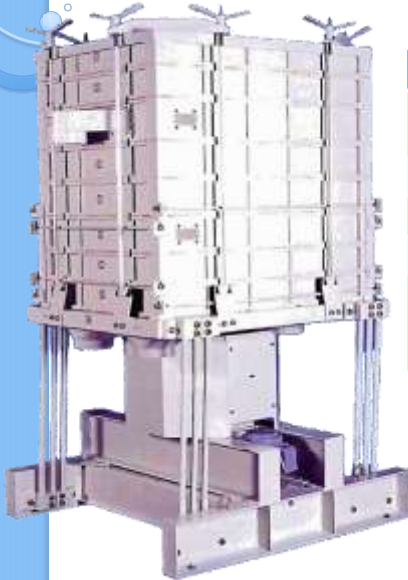


1. **Establish the Rice Millers' Association as an EIG (Economic Investment Group)**
2. **Installation of grading equipment between January-March 2012**
3. **Technical training on operating and servicing machinery for the PCH 2012, PCS 2013 and PCH 2013**
4. **Technical assistance to underpin the establishment and successful performance of a lending system**

30



## Supply of grading equipment



### Specifications

Capacity	4 to 6 tonnes of milled rice/hour
Power rating	0.75 kw / 4 p
Number of sieves	7
Number of grades	4
Mesh sizes	#5 (4.28 mm) x 2 #8 (2.37 mm) x 3 #12 (1.66 mm) x 2

31

## Supply of grading equipment

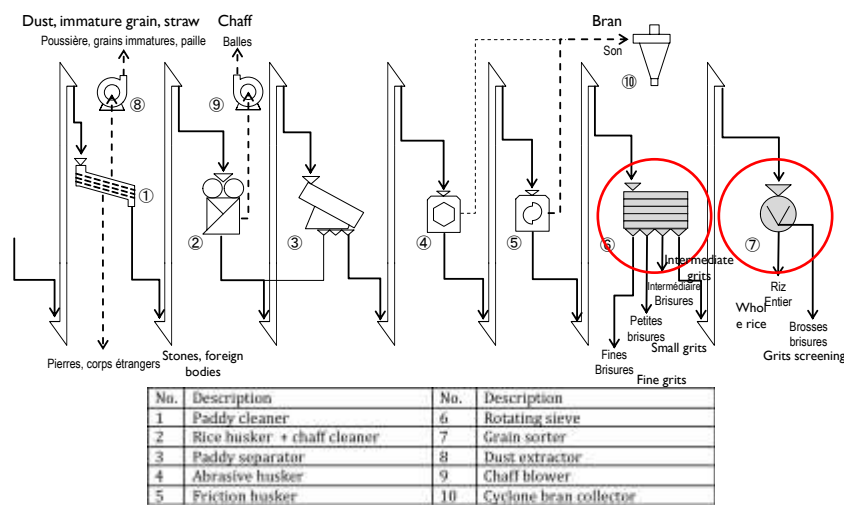


### Specifications

Capacity	0.8 to 1 tonne/hour of milled rice
Power rating	0.75 kw / 4 p
Cavity size	3.5 mm

32

## Supply of grading equipment



33

## Rice milling machinery supply



Paddy



Intermediate

Different sizes of impurities and admixed grains

## Rice milling machinery supply





Fine broken grains




Large broken grains

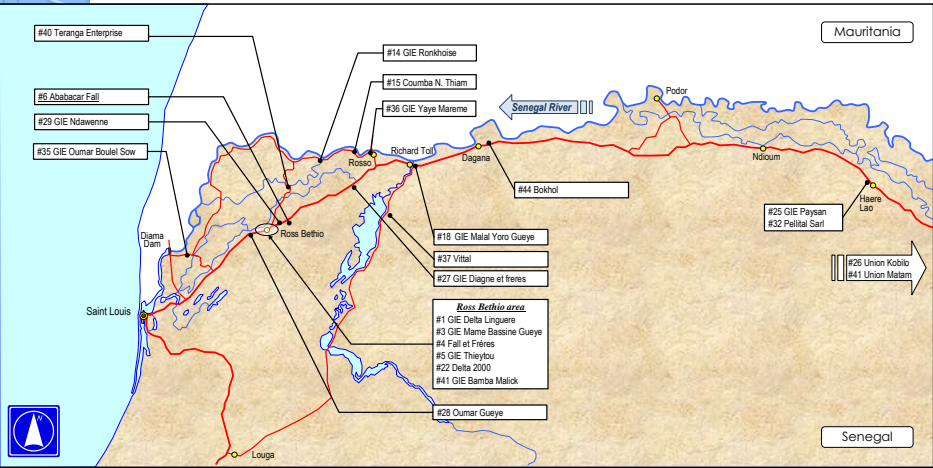


Whole grains

□ Uniformity of grain size creates greater value

## Rice milling machinery supply





Candidate Rice Mills to whom grading machines to be supplied

36

## Promotion campaign for local rice FIARA to ICES



## Local rice promotion campaign at the Place de l'Obélisque, Dakar from 15 to 19 December 2011



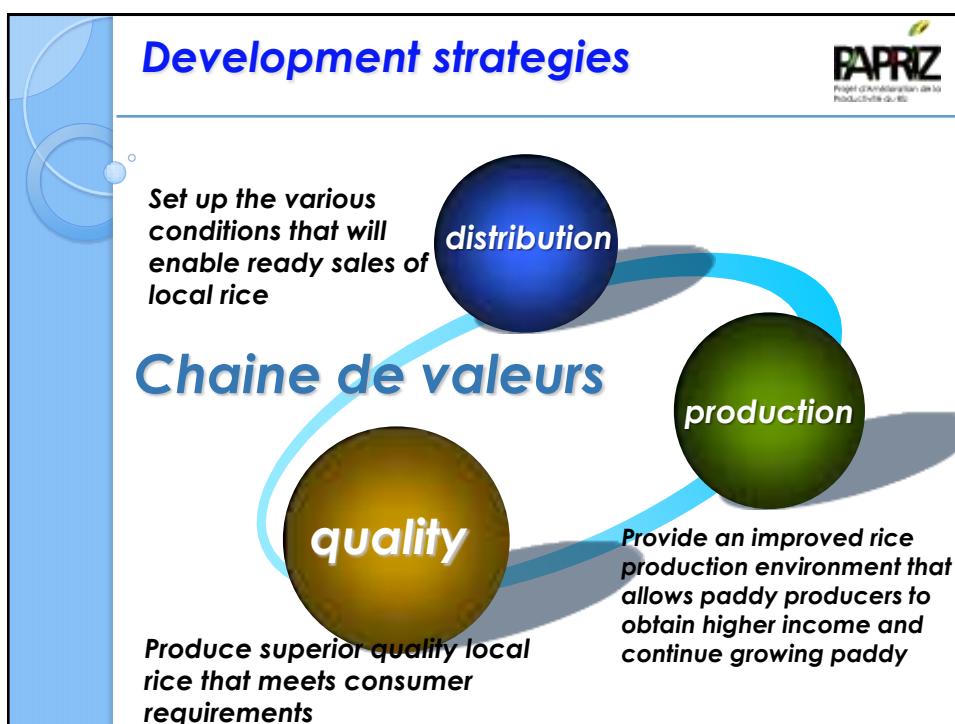
The campaign led to the immediate sale of 25 tonnes and orders for 220 tonnes of Senegalese rice for future delivery

**PAPRIZ**  
Projet d'Amélioration de la Productivité du Riz

### Local rice promotion campaign at the Place de l'Obélisque, Dakar from 15 to 19 December 2011

N°	Millers	Rice sales (tonnes)	Varieties	Price (FCFA/kg)
1.	SENKOM	3.0	Sahel 108	300
2.	Vital Rilex	10.0	Sahel 108	300-400
3.	Coumba Nor Thiam	4.4	Sahel 108	300
4.	Téranga Enterprise	1.2	Sahel 108	300
5.	Pont Gendarme	5.0	Sahel 108	300
			TCS-10	500
			Aromatic	600
6.	FEPRODES	2.0	Sahel 108	320
			TCS-10	600
			Aromatic	600

The millers took orders for 220 tonnes of local rice as well as the abovementioned sales.







---

Project for the  
Improvement of Rice  
Productivity

***Thank you!***